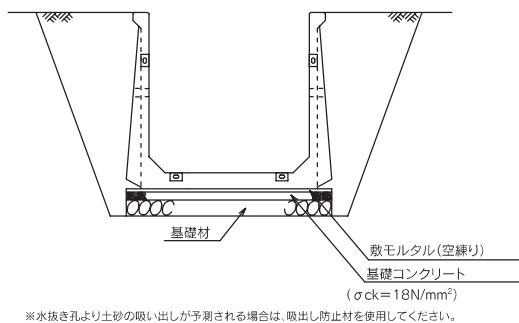


FK水路

T-14



●標準施工断面図



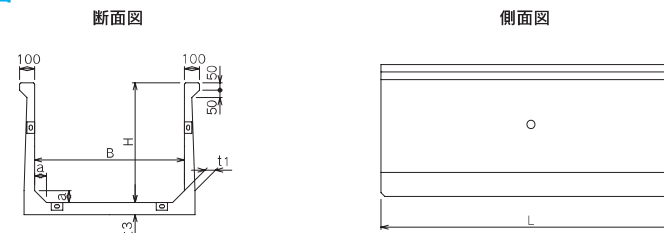
※水抜き孔より土砂の吸い出しが予測される場合は、吸出し防止材を使用してください。

●施工写真



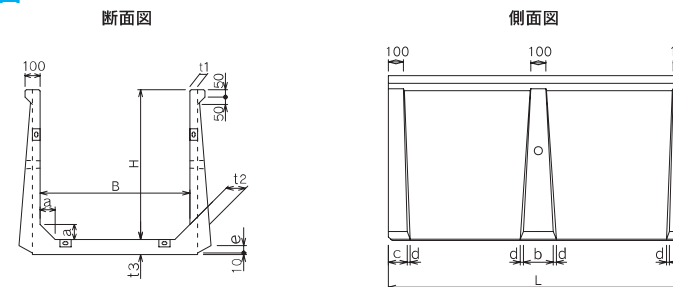
H=600~900

●製品寸法図



H=1000~1200

●製品寸法図



●製品寸法表

(単位:mm)

| 呼び名 (B×H) | t1 | t2 | t3 | a | b | c | d | e | L | 参考重量 (kg) |
|-------------|----|-----|-----|-----|-----|-----|----|----|------|-----------|
| 600 × 600 | | | | | | | | | | 639 |
| 800 × 600 | 65 | - | 70 | 60 | - | - | - | - | 2000 | 708 |
| 900 × 600 | | | | | | | | | | 742 |
| 1000 × 600 | | | | | | | | | | 777 |
| 600 × 800 | | | | | | | | | | 826 |
| 800 × 800 | 70 | - | 80 | 80 | - | - | - | - | 2000 | 905 |
| 1000 × 800 | | | | | | | | | | 983 |
| 1200 × 800 | | | | | | | | | | 1061 |
| 1500 × 800 | | | | | | | | | | 1179 |
| 600 × 900 | | | | | | | | | | 957 |
| 800 × 900 | 75 | - | 90 | 90 | - | - | - | - | 2000 | 1045 |
| 1000 × 900 | | | | | | | | | | 1133 |
| 600 × 1000 | | | | | | | | | | 1020 |
| 800 × 1000 | | | | | | | | | | 1118 |
| 1000 × 1000 | 50 | 130 | 100 | 100 | 200 | 125 | 20 | 50 | 2000 | 1216 |
| 1200 × 1000 | | | | | | | | | | 1314 |
| 1500 × 1000 | | | | | | | | | | 1461 |
| 800 × 1200 | | | | | | | | | | 1395 |
| 1000 × 1200 | | | | | | | | | | 1513 |
| 1200 × 1200 | 50 | 160 | 120 | 120 | 200 | 140 | 30 | 70 | 2000 | 1630 |
| 1500 × 1200 | | | | | | | | | | 1807 |